

Certification



"This device complies with part 15 of the FCC Rules. Operation is subject to the following two conditions: (1) This device may not cause harmful interference, and (2) this device must accept any interference received, including interference that may cause undesired operation."

For European Community Users

We have included this bulletin to comply with Directive 2012/19/EU OF THE EUROPEAN PARLIAMENT AND OF THE COUNCIL of 4 July 2012 on Waste Electrical and Electronic Equipment (WEEE)

This product has required the extraction and use of natural resources for its production. It may contain hazardous substances that could impact health and the environment, if not, properly disposed.

In order to avoid the dissemination of those substances in our environment and diminish the pressure on the natural resources, we encourage you to use the appropriate take-back systems for product disposal.

Those systems will reuse or recycle most of the materials of the product you are disposing in a sound way.

 The crossed out wheeled bin symbol inform you that the product should not be disposed of along with municipal waste and invites you to use the appropriate separate take-back systems for product disposal.

If you need more information on the collection, reuse, and recycling system, please contact your local or regional waste administration.

You can also contact your supplier for more information on the environmental performances of this product.

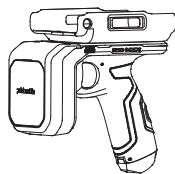
CE Compliance (for EU only)

 This product is labeled with the CE mark in accordance with the provisions of the applicable RoHS Directive 2011/65/EU for this product and the electric accessories.

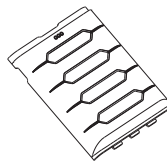
Package Contents and Accessories

Standard Accessories

RF851



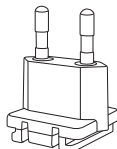
Battery Cover for RF851



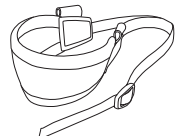
AC/DC Adapter (5V2A)



Country Plug



Hand Strap

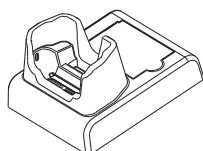


USB Type-C Cable

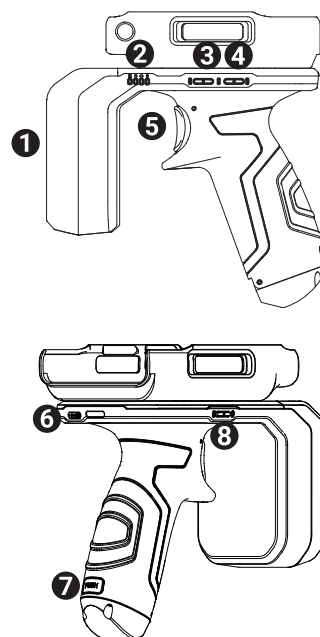


Optional Accessories

Single Slot Cradle and Single Slot Ethernet Cradle



Device Layout

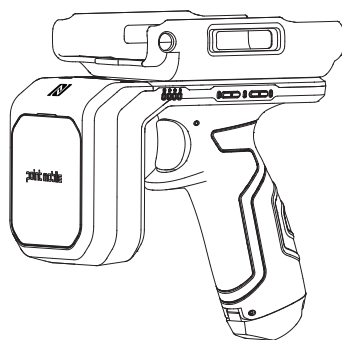


1. UHF Antenna
2. LED Indicator
3. Trigger-Mode key
4. Connect-Mode Key
5. Trigger
6. USB Type-C Connector
7. Battery Release Button
8. Power key

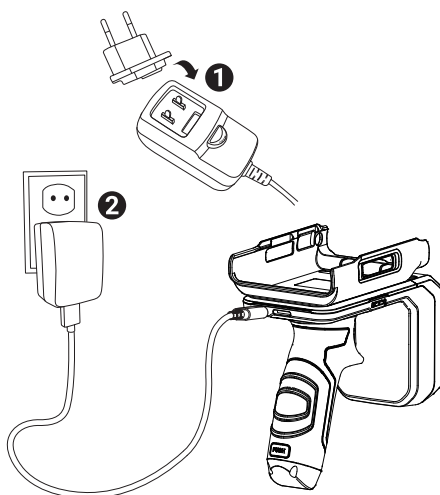


Quick Start Guide

RF851



Charging the RF851

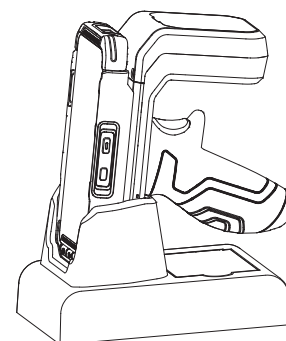


The RF851 and PM85 are charged individually. Charge the RF851 by inserting the USB Type-C cable to the connector. The RF851 is fully charged when the charging LED is solid green (see next page for LED indicator).

<Caution>

1. Always use an original power supply from Point Mobile. Other chargers and cables may damage the RF851.
2. Make sure the connector, charger, cable is not wet.
3. The device warranty does not cover any damage caused by the usage of non-original power supplies.

Charging the RF851 (Cradle)



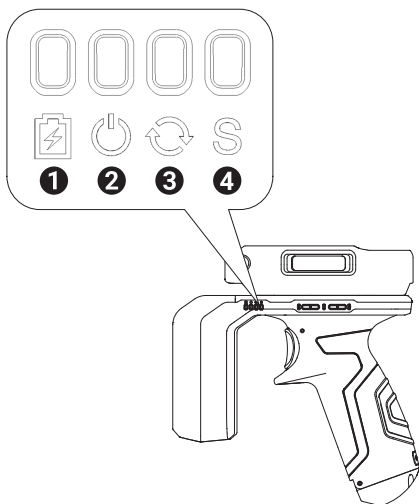
Charge the RF851 with PM85 mounted through the RF851 charging cradle (sold separately). Place the device into the cradle as shown in the image above.

<Caution>

1. Always use an original power supply from Point Mobile. Other chargers and cables may damage the RF851 and PM85.
2. Make sure the connector, charger, cable is not wet.
3. The device warranty does not cover any damage caused by the usage of non-original power supplies.

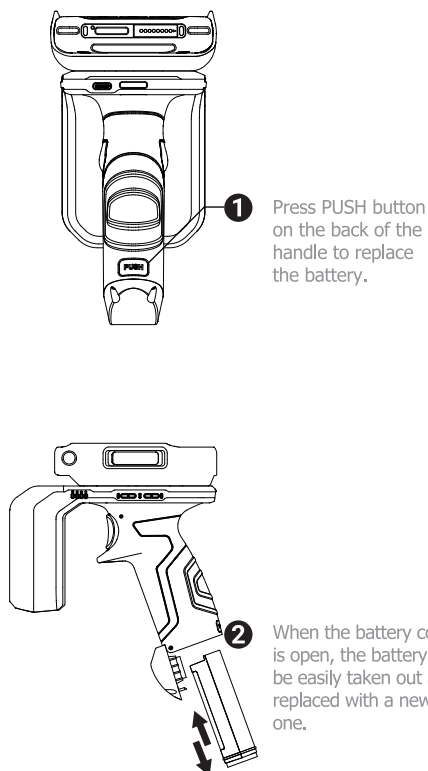
• For more details of product information and user guide, please refer to our website (www.pointmobile.com)

LED Indicator

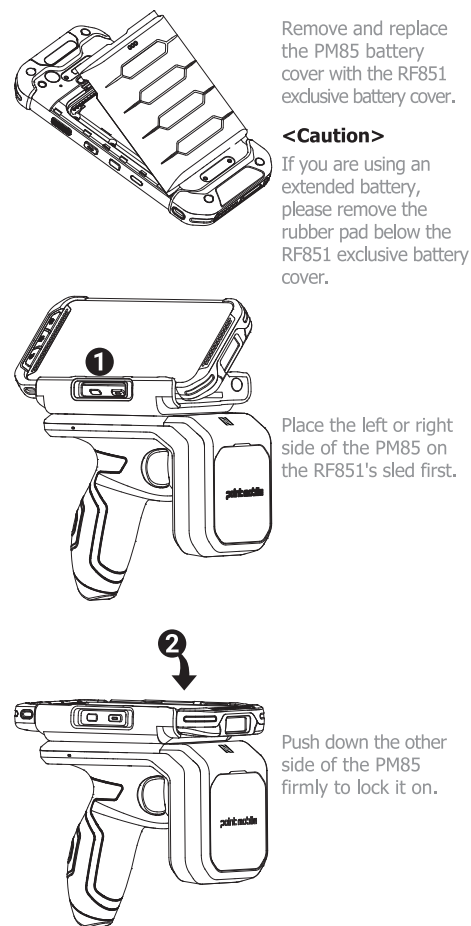


1. Charging LED	Solid red	Battery is charging
	Solid green	Battery is fully charged
	Alternatively blinking green & red	Battery fault
2. State LED	Solid red	Power is on
	Blinking red	Power is low
	Solid green	BT is connected
3. Connect-Mode LED	Alternatively blinking green & amber	BT is connected and battery is low
	Turned off	SPP communication
4. Trigger-Mode LED	Solid red	UART communication
	Turned off	UHF RFID ready
	Solid red	Barcode scan ready

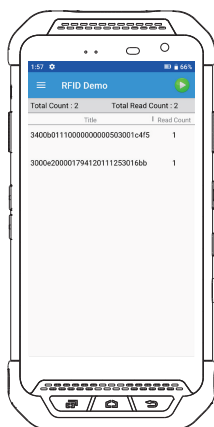
Battery Replacement



Attach Device to RF851



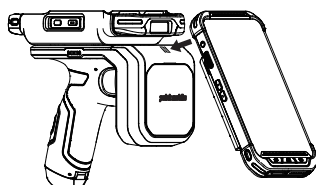
Demo App Installation



1. Log in to Service Portal and go to the download board.
2. Find a post titled as RF85X Materials and download the RFID Demo App.
3. Install RFID Demo App on PM85.

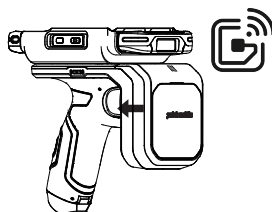
Tap-to-Pair & RFID Tag Decoding

Tap-to-Pair



Both devices can be easily paired with each other by simply laying the backside of the PM85 lightly on the NFC mark of the RF851.

RFID Tag Decoding



1. Aim the RF851 to the RFID tag
2. Push trigger to read RFID tag

For detailed instructions on setting up the Demo App, please refer to the user manual.

Specifications

Item	Specifications
Frequency	UHF 900MHz
Protocol	ISO 18000-63(18000-6C) / EPC global Class 1 Gen 2
Output	Max. 30 dBm(1Watt)
USB	USB Type C / USB to Serial Communication
Bluetooth	Bluetooth v4.0(Classic + Low Energy) / SSP Profile
LED	LED(Charging / State / Connect-Mode / Trigger-Mode)
Button	Power, Trigger Mode, Connection Mode
Buzzer	Max, Min, Mute
Configurations	RFID only or RFID with 2D scanner(Optional)
Size	81.3(W) x 153.8(L) x 142.2(H) mm
Battery	3,250 mAh, 3.6V Li-Ion (Replaceable)
Battery Charge Time	AC : About 4H
Drop	1.5M
Adaptor	5V / 2A
Weight	364g