

EA520 Four-Slot Battery Charger



Quick Start Guide

V1.1

Package

Please make sure the following contents are in the gift box. If something is missing or damaged, please contact your Unitech representative.

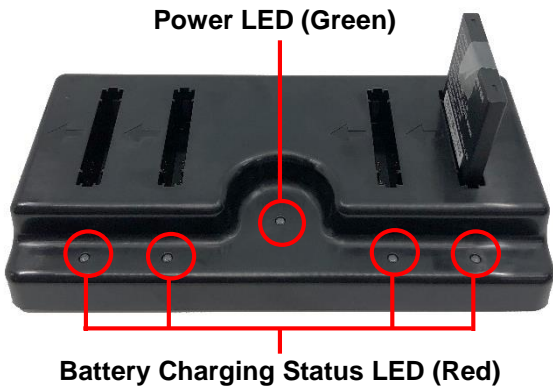
The package contents

- EA520 Four-Slot Battery Charger Unit (PN# 5100-900033G)
- 3-pin Power Supply (12V/ 5A) without power cord

Optional Accessories

- US power cord (PN# 1010-601551G)
- EU power cord (PN# 1550-602333G)
- Cradle hook (PN# 383291G)

Checking LED Status



Charging the Battery

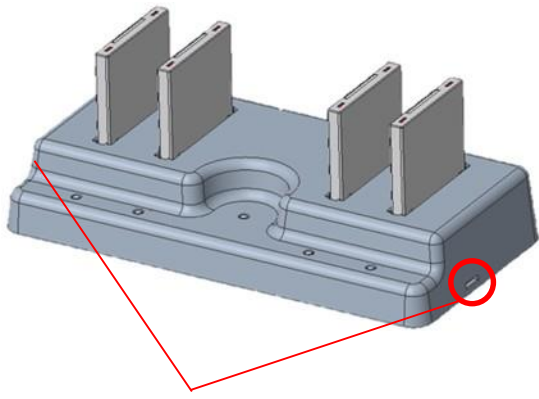
Plug the AC adapter cable into the power jack on the battery charger, and then plug the other end of the AC adapter into an electrical outlet.



Put the battery into the charger (with model name and battery strap facing left), and the charger will automatically detect the presence of batteries and begin charging.



LED Status	LED Type	Description
Solid Green Light	Power LED	Power supply is connected.
Solid Red Light	Battery Charging Status LED	Battery is being charged.
LED Off	Power LED	Power supply is not connected.
	Battery Charging Status LED	Battery fully charged.
		Power on without battery.

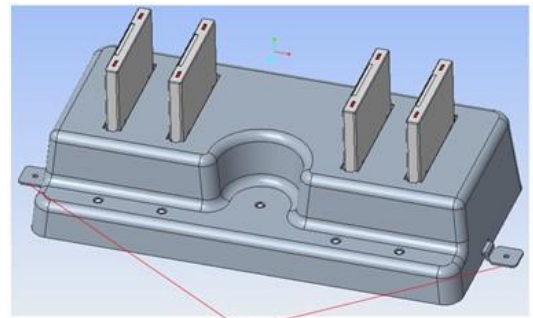


Note: The port on the right and left side is for the cradle hook.



Cradle Hook

By adding cradle hooks on the side of the cradle, you can secure the cradle with screws.



CRADLE HOOK

The four-slot battery Charger with cradle hook is as picture above.



<http://www.ute.com/>

Copyright 2022 Unitech Electronics Co., Ltd. All rights reserved.
Unitech is a registered trademark of Unitech Electronics Co., Ltd.