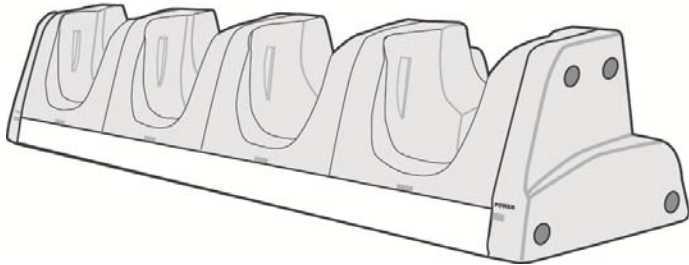


Four-Slot Terminal Cradle

- PA760 -



Package

Please make sure the following contents are in the gift box. If something is missing or damaged, please contact your unitech representative.

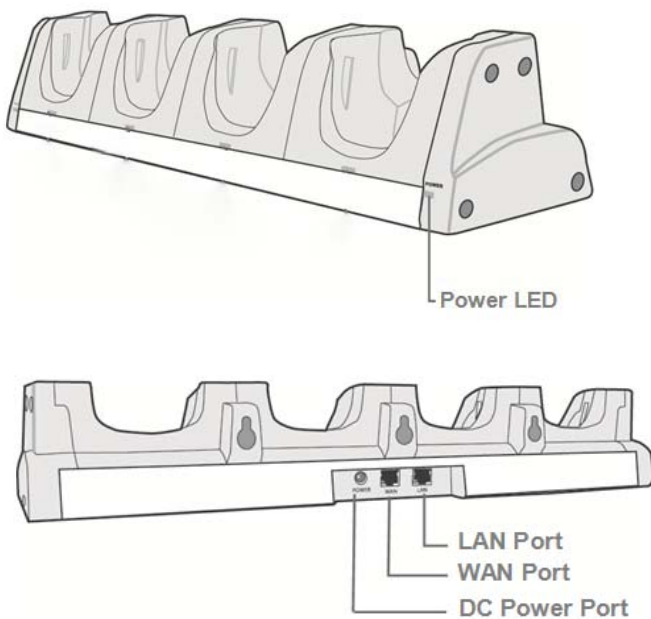
The basic package contents

- PA760 Four-slot Terminal Charging Cradle or PA760 Four-slot Terminal Ethernet cradle
- Power Supply(12V/ 5A) and power Cord (US or EU)

Quick Start Guide

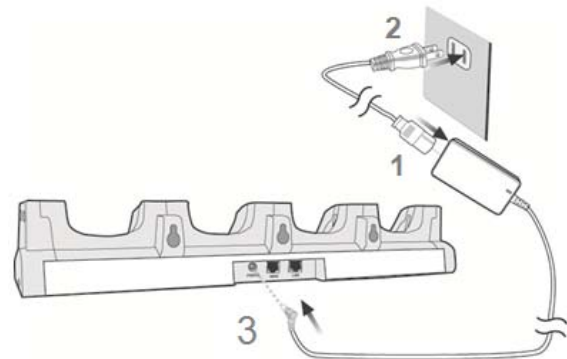
V1.0

Product View



1. **LAN Port:** Used for connecting to a four-slot cradle.
(Not available for terminal charging cradle)
2. **WAN Port:** Used for connecting to an Ethernet hub.
(Not available for terminal charging cradle)
3. **DC Power Port:** Used for connecting to a power adapter.

Power connection



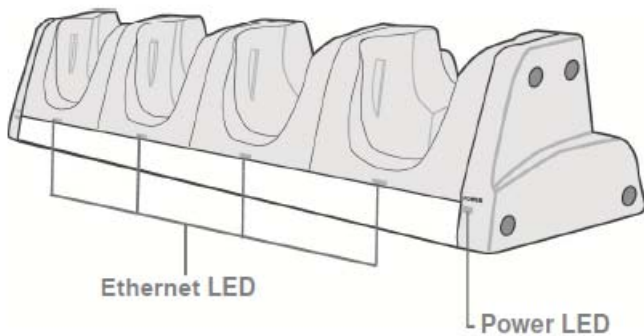
1. Plug the AC power cord into the power jack on the power adapter.
2. Plug the other end of the AC adapter into an electrical outlet.
3. Plug the power adapter cable into the DC in port of the cradle.

Charging Terminals with the cradle

You can charge up to four terminals at one time in the cradle.

1. Be sure that the cradle is connected to a power source.
2. Slide the terminal into the cradle.
3. The cradle will automatically detect the presence of the terminal and begin charging.
4. The LED indicator on PA760 will show red light when PA760 is charging.
5. The LED indicator on PA760 will show green light when PA760 is fully charged.

Checking the LED status



■ Ethernet cradle	
Power LED (on both sides)	Description
Red Light	Power supply is connected.
Ethernet LED	Description
Solid Blue light & Red light blinking	Ethernet communication

■ Charging only cradle	
Power LED (on both sides)	Description
Red Light	Power supply is connected

- CAUTION!** • To ensure the unit working properly, please keep all connectors away from the contaminants staying inside of them such as dust, grease, mud, and water. The negligence may cause the unit with no communication, short circuited, overheated and so on.
- If the connector is damaged, please ensure the connector is being fully repaired before using the unit to avoid causing short circuited.